

DA 279-4 Cooker Hood



Design

- Wall mounted
- 90 cm wide stainless steel (with amber feature light) or aluminium (with electric blue feature light)
- For building in between units or solo wall
- Extraction or option of recirculation with charcoal filter

Controls

- Light-touch switches with LEDs for On/Off, hob illumination, power settings, operating hour counter for grease filter (individually programmable) and delay switch-off (5/15 mins)
- 3 fan settings plus intensive setting
- Dimmer switch for hob illumination
- Switch for glass edge illumination

Special features

- Programmable automatic switch-off of the Intensive setting after 10 min.
- Double acting radial fan
- 2 easily removable stainless steel grease filters, dishwasher safe
- Hob illumination via 3 x 20 W dimmable halogen lights
- Separate glass edge illumination via LEDs (no bulbs to change)
- Telescopic chimney
- Improved sound insulation
- Safety switch-off
- Non-return flap
- Main switch to avoid wastage on standby

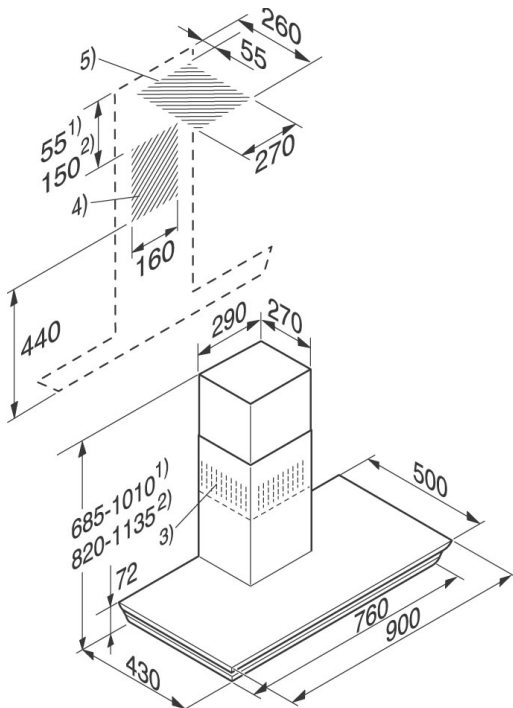
Output

Extraction (Ø 125 mm): 180-580 m³/hr
Extraction (Ø 150 mm): 200-640 m³/hr
Recirculation: 150-490 m³/hr

Ducted vertically or to rear

Also available in EXTERNAL

Appliance's and built-in measures:



- 1) Extraction
- 2) Recirculation
- 3) Venting grille position at the top for recirculation
- 4+5) Vent cut-out positions (Area 5 not required for recirculation mode)

Miele